



AVK UNDERGROUND HYDRANT, PN 16

35/31

Single shut off (K7)

004



AVK S.35 underground hydrants are equal to high quality in every detail and meet or exceed the requirements of DIN/EN14339. The hydrants are available with either single shut-off or double shut-off system for a continued sealing of the hydrant during maintenance. The shutoff plug is vulcanized with PUR (Polyurethane) for maximum memory effect. The automatic drainage system secures total emptying of the hydrant after use.

Product Description:

Underground fire hydrant to EN 14339 - Single shut off (K7)

Standards:

- Designed according to EN 1074 - 6:2008, Designed according to EN 14339:2005
- Standard flange drilling to EN1092-2 (ISO 7005-2), PN 10/16

Test/Approvals:

- Hydraulic test according to EN 1074-6 / VP 325 (3321)
- Approved according to CE Reg. No. 0620-CPR-6122
- Approved according to DIN-DVGW Certificate NW-6401CL0291
- Approved according to ÖVGW Certificate W 1.673

Features:

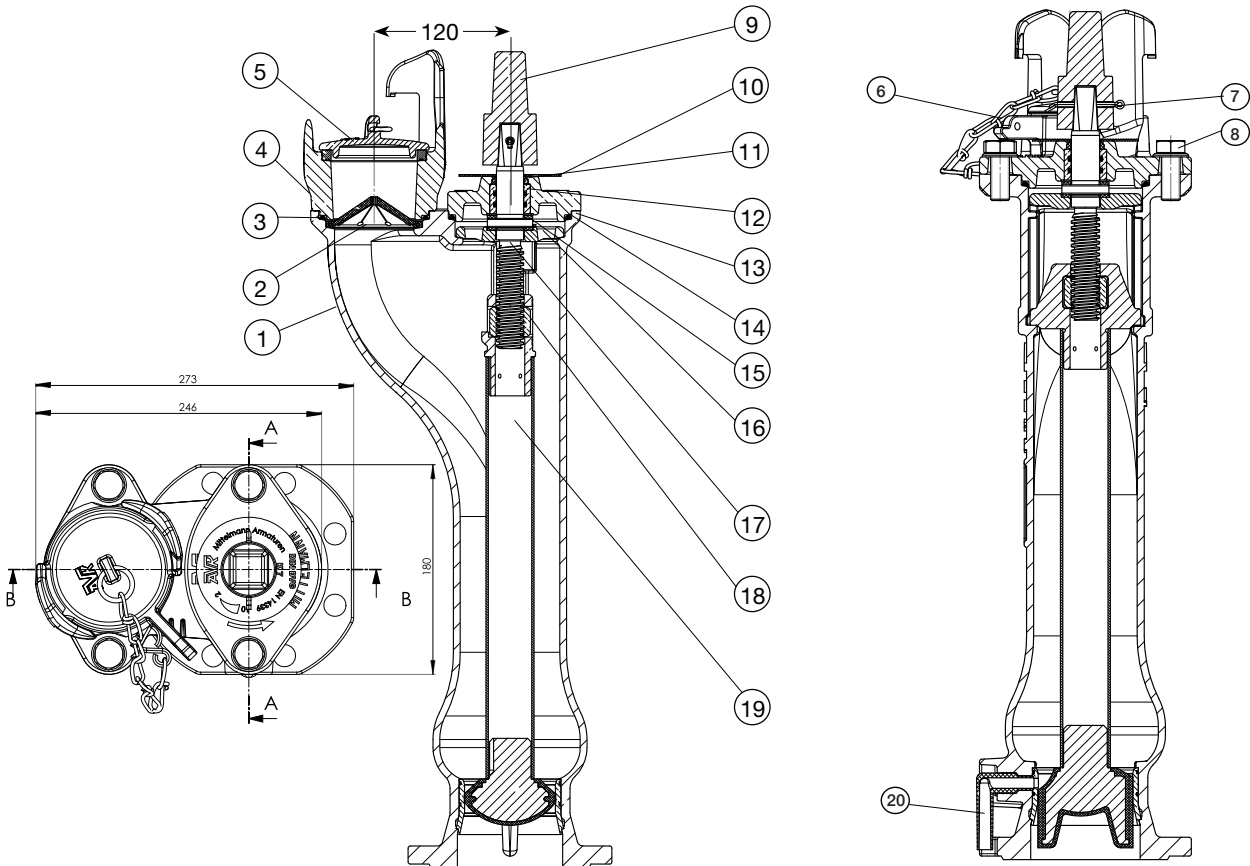
- Frost-proof automatic drainage in flush proof design.
- Radial sealing valve seat of dezincification resistant brass.
- Disc with ductile iron core coated with PUR (Polyurethane) for maximum memory effect.
- Stem bearing with polyamide antifriction washer secures an easy and smooth operation.
- Blue epoxy coating to DIN 30677-2, GSK approved. Alternatively with inside and/or outside enamel to DIN 3475.
- Kv value: 136 m³/h.
- Drainage: Residual flow: 11 ml. Time for drainage: 52 sec.
- Operating force resistance: MOT = 105 Nm, MST = 210 Nm.

Accessories:

Flexdrain, operating T-key



Expect... **AVR**



Component List:

1. Body	Ductile iron min. GJS-400-15 (GGG-40)	2. Leaf membrane	EPDM
3. O-ring	EPDM	4. Bayonet	Ductile iron min. GJS-400-15 (GGG-40)
5. Outlet cap	Cast iron GJL-250	6. Chain w. ring	Galvanized steel
7. Split	Stainless steel	8. Hexagon head screw	Stainless steel
9. Stem square cap	Ductile iron min. GJS-400-15 (GGG-40)	10. Identifying disc	Plastic
11. Wiper ring	NBR	12. O-ring	EPDM
13. Bonnet	Ductile iron min. GJS-400-15 (GGG-40)	14. O-ring	EPDM
15. Washer	POM	16. Stem support	Ductile iron min. GJS-400-15 (GGG-40)
17. Valve stem	Stainless steel, 1.4021	18. Stem nut	Brass
19. Operation pipe	Stainless steel	20. Drain pipe	PA

Reference Nos. and Dimensions:

AVK ref. nos	DN mm	Pipe cover mm	Theoretic. weight kg
35-080-31-11015 ⁽¹⁾	80	750	21
35-080-31-11020 ⁽²⁾	80	750	21
35-080-31-11021 ⁽³⁾	80	750	21
35-080-31-21015 ⁽¹⁾	80	1000	25
35-080-31-21020 ⁽²⁾	80	1000	25
35-080-31-21021 ⁽³⁾	80	1000	25
35-080-31-31015 ⁽¹⁾	80	1250	29
35-080-31-31020 ⁽²⁾	80	1250	29
35-080-31-31021 ⁽³⁾	80	1250	29
35-080-31-41015 ⁽¹⁾	80	1500	33
35-080-31-41020 ⁽²⁾	80	1500	33

The designs, materials and specifications shown are subject to change without notice. This is due to the continuous development of our product programme.

AVK ref. nos	DN mm	Pipe cover mm	Theoretic. weight kg
35-080-31-41021 ⁽³⁾	80	1500	33

⁽¹⁾ Cover with chain
⁽²⁾ Bayonet coupling and self-closing cover
⁽³⁾ with open cover