

Wafer Type Butterfly Valves

Technical Specifications

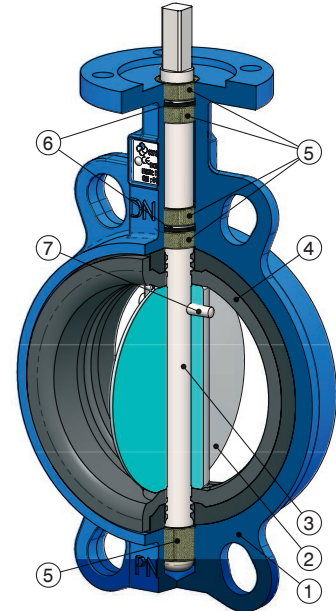
Size	DN40-DN1200
General Design	EN 593 *
Mounting Pad	ISO 5210 / ISO5211
Face to Face	EN 558 20 base series*
Flange Drilling	EN 1092 PN10/PN16*
Inspection and Test	EN12266-1
Nominal pressure designation	PN10/16

* All available General Design and Face to Face Standard refer to the Basic Specification of Wato.

* All available Flange drilling kindly refer to the attached Flange Drilling Dimensions.

Product Features

- Wafer, lug or U type flanged body style fit between FF or RF flanges
- PTFE bushing ensure the maximum shaft support and centralized alignment
- 360° polished disc assures positive on-off
- Hard-Backed Cartridge Seat
- One piece shaft, pinned, splined and square connected disc
- Universal ISO 5211 mounting Pad.



Material Specifications

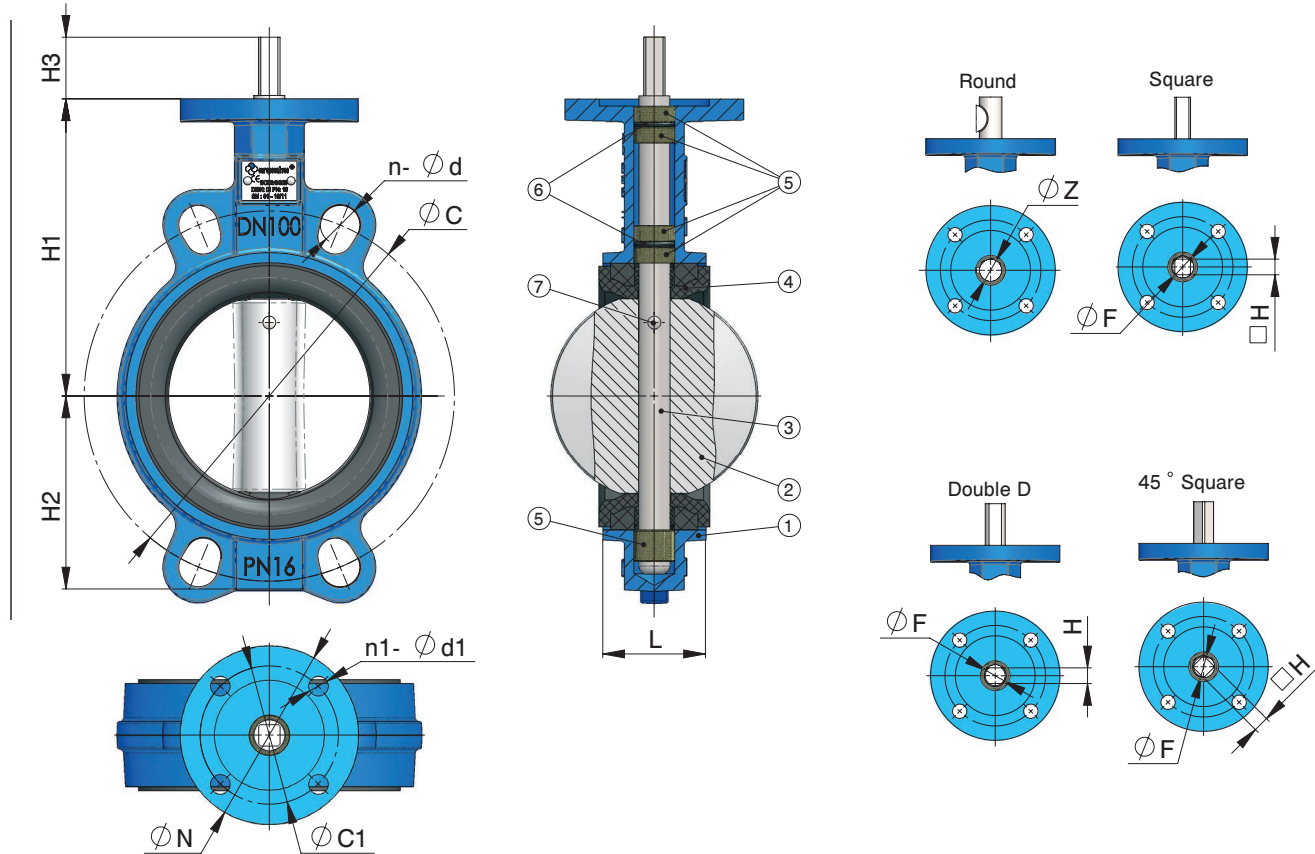
Item	Part name	Material	Grade
1	Body	GI/DI	EN-JL 1040 (EN-GJL-250) EN 1561/EN-JS 1050 (EN-GLS-500-7) EN1563
2	Disc	DI / SS304 / SS316	EN-JS 1050 (EN-GLS-500-7) EN1563 1.4301 (X5CrNi18 9) EN10088-3 1.4401 (X5CrNiMo 17 12 2) EN10088-3
3	Stem	Stainless Steel	1.4406 (X12Cr13) EN10088-3
4	Seat	Rubber	EPDM EN 681-1
5	Bushing	Plastic	PTFE ISO 13000
6	O Ring	Rubber	EPDM EN 681-1
7	Pin	Stainless Steel	1.4408 (GX5CrNiMo 19-11-2) EN10088-3

Wato Products specifications in this catalogues are provided for reference only. For precise measurements, please contact Wato Technical Service, Wato reserve the right to change or modify product design, construction, specifications, or materials without prior notice and without incurring any obligation to make such changes and modifications on Wato products previously or subsequently sold.

Butterfly Valve/EN558 Series 20

Wafer Type

MODEL: BFV-WF-H



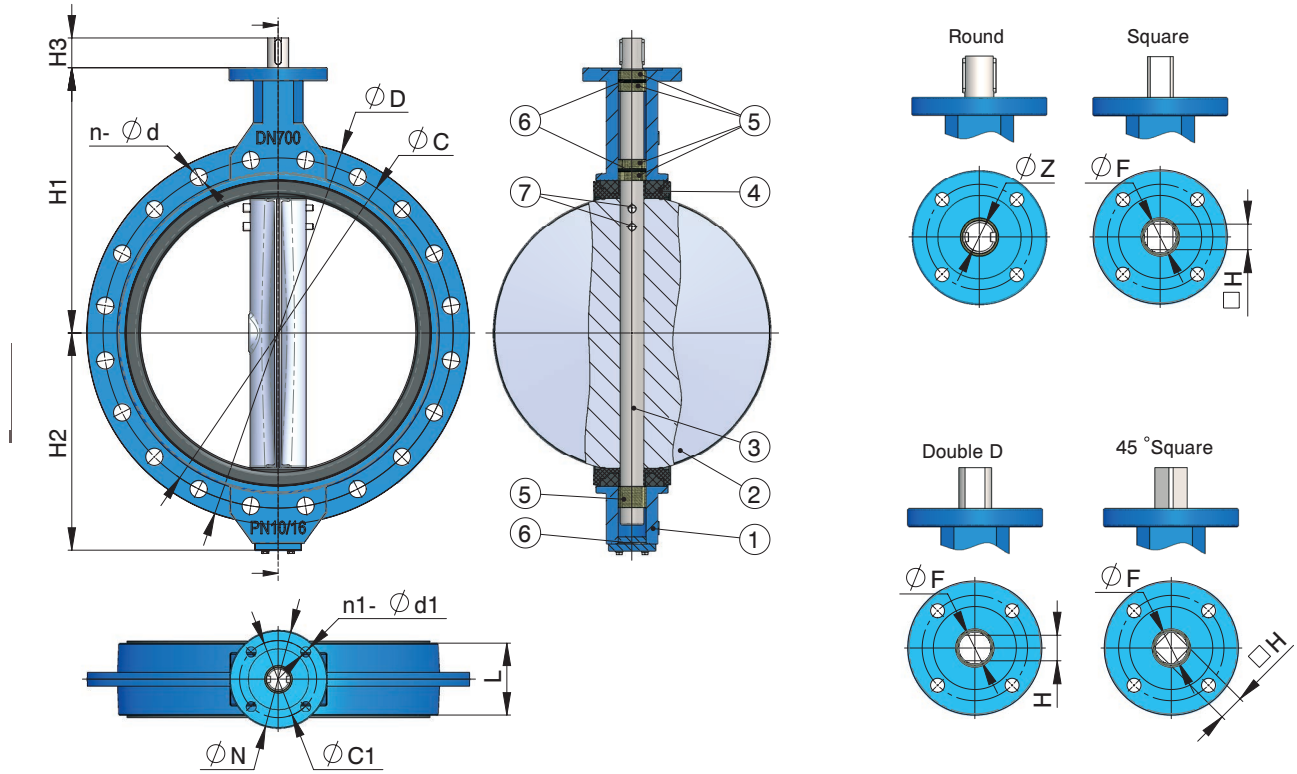
Dimensions

Size		L	H1	H2	H3	ISO5211			EN 1092 PN16		ØZ	ØF	H	
DN	NPS					No.	ØN	ØC1	n1-Ød1	ØC				n-Ød
40	1.5"	33	139	68	29	F05	65	50	4-Ø8	110	4-Ø18	12.6	12.1	9
50	2"	43	161	80	29	F05	65	50	4-Ø8	125	4-Ø18	12.6	12.1	9
65	2-1/2"	46	175	89	29	F05	65	50	4-Ø8	145	4-Ø18	12.6	12.1	9
80	3"	46	181	95	29	F05	65	50	4-Ø8	160	8-Ø18	12.6	12.1	9
100	4"	52	200	114	29	F07	90	70	4-Ø10	180	8-Ø18	15.77	14.1	11
125	5"	56	213	127	29	F07	90	70	4-Ø10	210	8-Ø18	18.92	18.1	14
150	6"	56	226	139	29	F07	90	70	4-Ø10	240	8-Ø22	18.92	18.1	14
200	8"	60	260	175	35	F10	125	102	4-Ø12	295	12-Ø22	22.1	22.1	17
250	10"	68	292	203	35	F10	125	102	4-Ø12	355	12-Ø26	28.45	28.1	22
300	12"	78	337	242	35	F10	125	102	4-Ø12	410	12-Ø26	31.6	28.1	22
350	14"	78	368	267	45	F10	125	102	4-Ø12	470	16-Ø26	31.6	28.2	22
400	16"	102	400	298.6	51.2	F14	175	140	4-Ø18	525	16-Ø30	33.15	28.2	22
450	18"	114	422	318	51.2	F14	175	140	4-Ø18	585	20-Ø30	38	36.2	27
500	20"	127	480	355	64.2	F14	175	140	4-Ø18	650	20-Ø33	41.15	36.2	27
600	24"	154	562	444	70.2	F16	210	165	4-Ø22	770	20-Ø36	50.65	48.2	36

Butterfly Valve/EN558 Series 20

Wafer Type

MODEL: BFV-WF-H



Dimensions

Size		L	H1	H2	H3	ISO5211			EN 1092 PN16			ØZ	ØF	H	
DN	NPS					No.	ØN	ØC1	n1-Ød1	ØD	ØC				n-Ød
700	28"	165	623.9	505.1	66	F25	300	254	8-Ø18	895	840	24-Ø30	55	60.2	46
750	30"	165	646	499	66	F25	300	254	8-Ø18	965	900	24-Ø33	55	60.2	46
800	32"	190	672	576	66	F25	300	254	8-Ø18	1015	950	24-Ø33	55	60.2	46
900	36"	203	720	637	118	F25	300	254	8-Ø18	1115	1050	28-Ø33	75	72.2	55
1000	40"	216	800	701	142	F25	300	254	8-Ø18	1230	1160	28-Ø36	85	72.2	55
1200	48"	254	940	844	160	F30	350	298	8-Ø22	1455	1380	32-Ø39	105	98.2	75