



AVK MULTI HYDRANT, ABOVE GROUND, PN 16

84/90

Model N7, without traffic break-away design (Type A), single shut-off

001



AVK's Multi hydrants are available with multiple configurations including several Storz outlet configurations, single or double shut-off and with or without traffic break-away design. The heavy duty materials with extra corrosion protection, the PUR coated disc with high memory effect and the high flow capacity ensure durability and good performance. Series 84/90 is a single shut-off hydrant without traffic break-away design.

Product Description:

Above ground hydrant model N7 without traffic break-away design (Type A) - single shut-off for drinking water and neutral liquids to max. 40° C

Standards:

- Designed according to EN 1074 - 6:2008, Design according to EN 14384:2005
- Standard flange drilling to EN1092-2 (ISO 7005-2), PN 16

Test/Approvals:

- Hydraulic test according to EN 1074-6 / VP 325 (3321)
- Hydraulic test according to EN 1074-1 and 2 / EN 12266.
- Approved according to CE Reg. No. 0620-CPR-6122

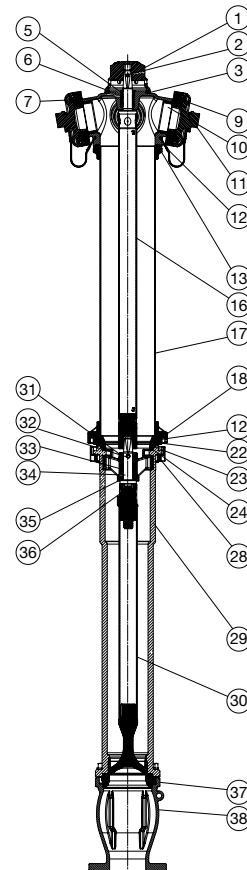
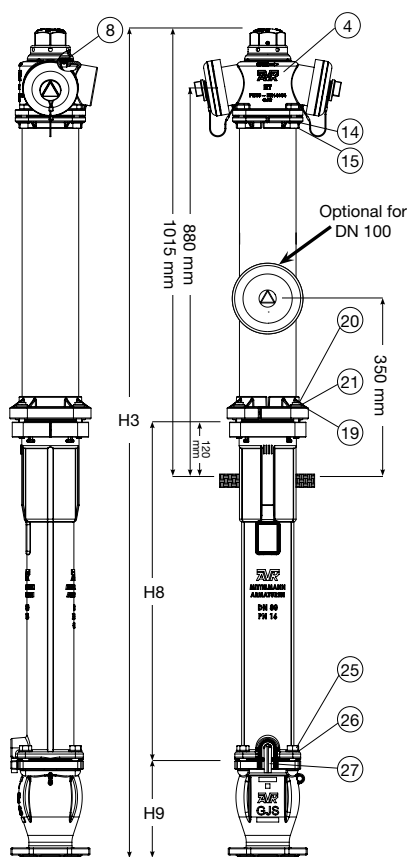
Features:

- Several Storz outlet configurations available eg. 2 x C, 2 x B, 2 x B + 1 x A, 2 x C + 1 x B etc.
- Up to 4 outlets possible
- Valve seat of dezincification resistant brass
- Automatic drainage in flush proof design
- Integrated air valve of brass
- Disc with ductile iron core coated with PUR (Polyurethane) for maximum memory effect
- Kv value, DN 80: 1 x 65 outlet: 153 m³/h, 2 x 65 outlet: 153 m³/h
- Kv value, DN 100: 1 x 65 outlet: 210 m³/h, 2 x 65 outlet: 217 m³/h
- Drainage: Residual flow, DN 80/100: 17/22 ml – Time for drainage, DN 80/100: 120/215 sec/m.
- Operating force resistance: MOT = 125 Nm, MST = 250 Nm
- Hydrant head and lower barrel externally and internally epoxy coated to DIN 30677-2. Hydrant head additionally coated with a topcoat of UV resistant polyester coating
- Upper barrel of heavy duty stainless steel

Accessories:

Flexdrain, duckfoot bend, T-piece, flange adaptor and combi-flange





Component List:

1. Operation nut	Corrosion resistant aluminum alloy	2. Straight pin slotted	Spring steel 1.4310
3. Washer	Stainless steel A2	4. Hydrant head	Ductile iron, min. GJS-400-15 (GGG-40)
5. Wiper ring	NBR rubber / stainless steel	6. Bearing bush	Brass
7. O-ring	EPDM rubber	8. Air valve	Brass
9. Coupling	Aluminium	10. O-ring	EPDM rubber
11. Cover with wire	Aluminium	12. O-ring	EPDM rubber
13. Head flange	Ductile iron GJS-400-15 (GGG 40)	14. Washer	Stainless steel A2
15. Hex socket head screw	Stainless steel A2	16. Upper stem rod	Stainless steel
17. Upper barrel	Stainless steel	18. Foot flange	Ductile iron GJS-400-15 (GGG 40)
19. Washer	Stainless steel A2	20. Hex head screw	Stainless steel A2
21. Non-breakable bush	Stainless steel	22. Adaptor ring	Ductile iron GJS-400-15 (GGG 40)
23. O-ring	EPDM rubber	24. Lock ring	Ductile iron GJS-400-15 (GGG 40)
25. Hex head screw	Stainless steel A2	26. Washer	Stainless steel A2
27. Drain pipe	Polyamide	28. Clamp half	Ductile iron GJS-400-15 (GGG 40)
29. Lower barrel	Ductile iron GJS-400-15 (GGG 40)	30. Lower stem rod	Stainless steel 1.4021, GJS (GGG), PUR
31. Ring	Ductile iron GJS-400-15 (GGG 40)	32. Helical roll pin	Spring steel 1.4310
33. Stem guide	Ductile iron GJS-500-7 (GGG-50)	34. Stem	Stainless steel 1.4021
35. Washer	POM	36. Stem nut	Brass
37. Locking segment	HDPE	38. Ball chamber	Ductile iron, min. GJS-400-15 (GGG-40)

Components may be substituted with equivalent or higher class materials without prior notification.

Reference Nos. and Dimensions:

The designs, materials and specifications shown are subject to change without notice. This is due to the continuous development of our product programme.

AVK ref. nos	DN mm	Pipe cover mm	H3 mm	H8 mm	H9 mm	Theoretic. weight kg
84-080-90-21101010 ⁽¹⁾	80	1000	1886	770	220	51
84-080-90-21101015 ⁽²⁾	80	1000	1886	770	220	51
84-080-90-31101010 ⁽¹⁾	80	1250	2136	1020	220	56
84-080-90-31101015 ⁽²⁾	80	1250	2136	1020	220	56
84-080-90-41101010 ⁽¹⁾	80	1500	2386	1270	220	61
84-080-90-41101015 ⁽²⁾	80	1500	2386	1270	220	61
84-100-90-21101010 ⁽¹⁾	100	1000	1886	725	265	61
84-100-90-21101012 ⁽³⁾	100	1000	1886	725	265	61
84-100-90-31101010 ⁽¹⁾	100	1250	2136	975	265	66
84-100-90-31101012 ⁽³⁾	100	1250	2136	975	265	66
84-100-90-41101010 ⁽¹⁾	100	1500	2386	1225	265	71
84-100-90-41101012 ⁽³⁾	100	1500	2386	1225	265	71

⁽¹⁾ 2 x coupling B
⁽²⁾ 2 x coupling C, 1 x coupling B
⁽³⁾ 2 x coupling B, 1 x coupling A