



AVK SUPPORT BUSH, WEDGE TYPE

05/E-008

For insertion in PE pipes



AVK recommends usage of a support bushes in PE pipes when using a tensile coupling or flange adaptor such as an AVK combi-flange and a Supa Plus™ or Supa Maxi™ coupling. AVK support bushes are made of stainless steel AISI 304 and are available for SDR 11, SDR 13,6, SDR 17 and SDR 17,6 PE pipes. For pipes supplied in rolls, AVK recommends using support bushes in order to ensure correct chamfering and restore the roundness of the pipe.



Product description:

Support bush for PE pipes

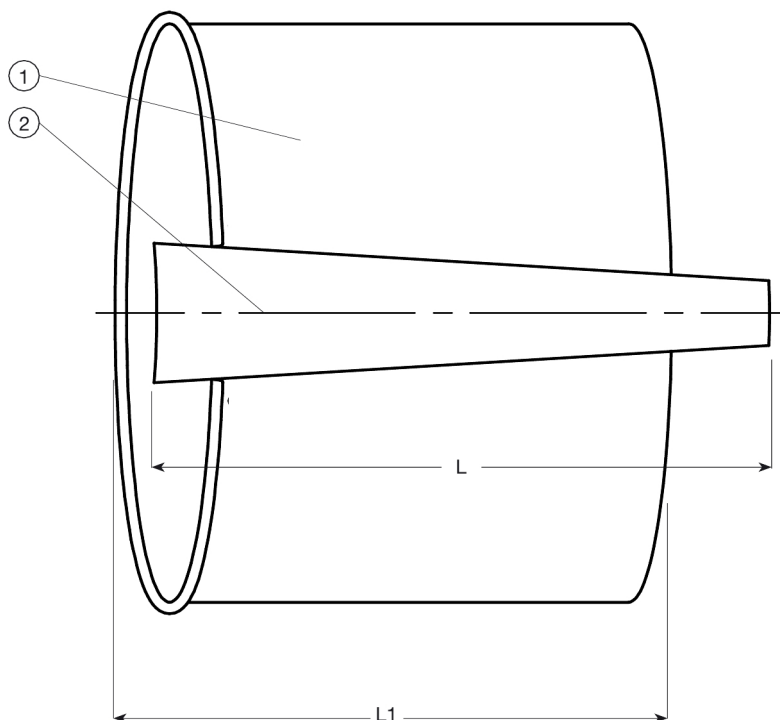


Features:

- Support bush is manufactured from stainless steel AISI 304.
- In order to prevent corrosion, the support bush is pickled and passivated.
- Standard sizes are SDR 11, SDR 13.6, SDR 17 and SDR 17.6. Other SDR sizes are available on request.
- Available for PE pipes DN 50 - DN 400. Other DN sizes are available on request.



Expect ... **AVR**



Component list:

| | | | |
|---------|---------------------|----------|---------------------|
| 1. Bush | Stainless steel 304 | 2. Wedge | Stainless steel 304 |
|---------|---------------------|----------|---------------------|

Components may be substituted with equivalent or higher class materials without prior notification.

Reference nos. and dimensions:

| AVK ref. no. | DN mm | SDR | Pipe dia. mm | L1 mm | Theoretic weight / kg |
|-------------------|----------|------|-----------------|----------|--------------------------|
| 05-025-54-002 (1) | 20 | | 25 | 36 | 0.1 |
| 05-032-54-002 (1) | 25 | - | 32 | 44 | 0.1 |
| 05-040-54-002 (1) | 32 | - | 40 | 54 | 0.2 |
| 05-050-54-002 (1) | 40 | - | 50 | 74 | 0.3 |
| 05-063-51-000 | 50 | 17,6 | 63 | 150 | 0.4 |
| 05-063-53-000 | 50 | 17 | 63 | 150 | 0.4 |
| 05-063-54-000 | 50 | 11 | 63 | 150 | 0.4 |
| 05-063-54-002 (1) | 50 | - | 63 | 87 | 0.6 |
| 05-063-56-000 | 50 | 13,6 | 63 | 150 | 0.4 |
| 05-075-51-000 | 65 | 17,6 | 75 | 150 | 0.5 |
| 05-075-53-000 | 65 | 17 | 75 | 150 | 0.5 |
| 05-075-54-000 | 65 | 11 | 75 | 150 | 0.5 |
| 05-075-56-000 | 65 | 13,6 | 75 | 150 | 0.5 |
| 05-090-51-000 | 80 | 17,6 | 90 | 150 | 0.7 |
| 05-090-53-000 | 80 | 17 | 90 | 150 | 0.7 |
| 05-090-54-000 | 80 | 11 | 90 | 150 | 0.7 |
| 05-090-56-000 | 80 | 13,6 | 90 | 150 | 0.7 |
| 05-110-71-000 | 100 | 17,6 | 110 | 150 | 0.8 |
| 05-110-73-000 | 100 | 17 | 110 | 150 | 0.8 |
| 05-110-74-000 | 100 | 11 | 110 | 150 | 0.8 |
| 05-110-76-000 | 100 | 13,6 | 110 | 150 | 0.8 |
| 05-125-71-000 | 125 | 17,6 | 125 | 150 | 1.0 |
| 05-125-73-000 | 125 | 17 | 125 | 150 | 1.0 |
| 05-125-74-000 | 125 | 11 | 125 | 150 | 1.0 |
| 05-125-76-000 | 125 | 13,6 | 125 | 150 | 1.0 |
| 05-140-71-000 | 140 | 17,6 | 140 | 150 | 1.1 |
| 05-140-73-000 | 140 | 17 | 140 | 150 | 1.1 |

The designs, materials and specifications shown are subject to change without notice. This is due to the continuous development of our product programme.

AVK SUPPORT BUSH, WEDGE TYPE**05/E-008**

For insertion in PE pipes

Reference nos. and dimensions:

| AVK ref. no. | DN mm | SDR | Pipe dia. mm | L1 mm | Theoretic weight / kg |
|---------------|----------|------|-----------------|----------|--------------------------|
| 05-140-74-000 | 140 | 11 | 140 | 150 | 1.1 |
| 05-140-76-000 | 140 | 13,6 | 140 | 150 | 1.1 |
| 05-160-71-000 | 150 | 17,6 | 160 | 200 | 1.3 |
| 05-160-73-000 | 150 | 17 | 160 | 200 | 1.3 |
| 05-160-74-000 | 150 | 11 | 160 | 200 | 1.3 |
| 05-160-76-000 | 150 | 13,6 | 160 | 200 | 1.3 |
| 05-180-71-000 | 175 | 17,6 | 180 | 200 | 1.4 |
| 05-180-73-000 | 175 | 17 | 180 | 200 | 1.4 |
| 05-180-74-000 | 175 | 11 | 180 | 200 | 1.4 |
| 05-180-76-000 | 175 | 13,6 | 180 | 200 | 1.4 |
| 05-200-71-000 | 200 | 17,6 | 200 | 200 | 1.4 |
| 05-200-73-000 | 200 | 17 | 200 | 200 | 1.4 |
| 05-200-74-000 | 200 | 11 | 200 | 200 | 1.4 |
| 05-200-76-000 | 200 | 13,6 | 200 | 200 | 1.4 |
| 05-225-71-000 | 225 | 17,6 | 225 | 200 | 1.9 |
| 05-225-73-000 | 225 | 17 | 225 | 200 | 1.9 |
| 05-225-74-000 | 225 | 11 | 225 | 200 | 2.0 |
| 05-225-76-000 | 225 | 13,6 | 225 | 200 | 2.0 |
| 05-250-71-000 | 250 | 17,6 | 250 | 200 | 2.3 |
| 05-250-73-000 | 250 | 17 | 250 | 200 | 2.3 |
| 05-250-74-000 | 250 | 11 | 250 | 200 | 2.5 |
| 05-250-76-000 | 250 | 13,6 | 250 | 200 | 2.4 |
| 05-280-71-000 | 275 | 17,6 | 280 | 200 | 2.7 |
| 05-280-73-000 | 275 | 17 | 280 | 200 | 2.7 |
| 05-280-74-000 | 275 | 11 | 280 | 200 | 3.3 |
| 05-280-76-000 | 275 | 13,6 | 280 | 200 | 3.0 |
| 05-315-71-000 | 300 | 17,6 | 315 | 200 | 3.5 |
| 05-315-73-000 | 300 | 17 | 315 | 200 | 3.5 |
| 05-315-74-000 | 300 | 11 | 315 | 200 | 3.3 |
| 05-315-76-000 | 300 | 13,6 | 315 | 200 | 3.4 |
| 05-355-73-000 | 350 | 17 | 355 | 200 | 3.8 |
| 05-355-74-000 | 350 | 11 | 355 | 200 | 4.0 |
| 05-400-73-000 | 400 | 17 | 400 | 200 | 4.3 |
| 05-400-74-000 | 400 | 11 | 400 | 200 | 4.5 |

(1) Made of polypropylene with a built-in chamfer. There is no wedge in this type of support bush