

The Series 601 supra coupling, is a universal coupling for all ferrous, PVC and AC pipes, suitable for use with water and neutral liquids (sewage) to a maximum temperature of a +70°C.

## Features:

- Lightweight design.
- Corrosion resistant construction.
- Fusion bonded epoxy coating.
- Wide tolerances.
- Sheraplex® coated bolt sets.
- Total angular deflection across fitting of  $\pm 8^\circ$ .
- WRAS certification.
- EPDM seals.

## Options:

- Stainless steel bolt sets\*.

\* All Stainless Steel Bolts and Nuts are coated with Delta Seal GZ anti-friction coating.

Note: This fitting is not designed for end load resistant applications.



## SERVICE CONDITIONS

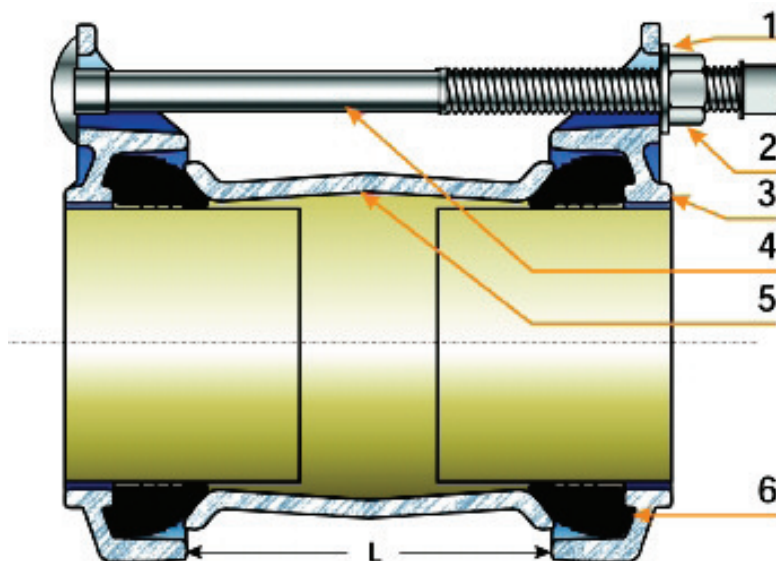
Maximum Working Pressure: 16 Bar.  
 Temperature Range: -10°C to +70°C.  
 Insulation essential for temperatures of 0°C and below.

## STANDARDS & TESTS

Coating: Body WIS 4-52-01. All materials WRAS approved.  
 Bolt Sets: WIS 4-52-03.  
 1.5 x PN.

## MATERIALS OF CONSTRUCTION

No.	DESCRIPTION	MATERIAL
1	Washers	Hardened steel zinc plated & passivated.
2	Nuts	Steel, grade 8 with Sheraplex® coating.
3	Gland Rings	Ductile iron, minimum GGG-40/50, BSEN 1563.
4	Bolts	Steel, grade min 8.8, Sheraplex® M12.
5	Centre Sleeve	Ductile iron, minimum GGG-40/50, BSEN1563.
6	Rubber Seals Coating	EPDM to BS EN 681-1. Fusion bonded epoxy.



## DIMENSIONS & WEIGHTS

Ref No.	DN	L mm	Sealing Range		Bolts	Weight kg
			mm			
601-063000-4-100	40	100	46-63		2	2.9
601-074000-4-100	50	100	57-74		2	2.9
601-085000-4-100	65	100	68-85		4	3.9
601-106000-4-100	80	100	84-106		4	4.9
601-119000-4-100	100	100	99-119		4	5.2
601-133000-4-100	100	100	109-133		4	5.5
601-157000-4-100	125	100	132-157		4	6.5
601-183000-4-100	150	115	157-183		4	7.5
601-201000-4-100	150	115	176-201		4	9
601-215000-4-100	200	115	193-215		4	9.4
601-242000-4-100	200	140	218-242		4	11.3
601-268000-4-100	225	140	242-268		6	13.4
601-292000-4-100	250	160	266-292		6	15.5
601-306000-4-100	250	160	280-306		6	14.6
601-327000-4-100	300	160	301-327		6	16.4
601-350000-4-100	300	160	324-350		6	16.5
601-378000-4-100	350	160	352-378		8	19.9
601-396000-4-100	350	160	372-396		8	20.3
601-410000-4-100	350	160	384-410		8	21.1
601-436000-4-100	400	160	410-436		8	21.8
601-462000-4-100	400	160	436-462		8	23.5

